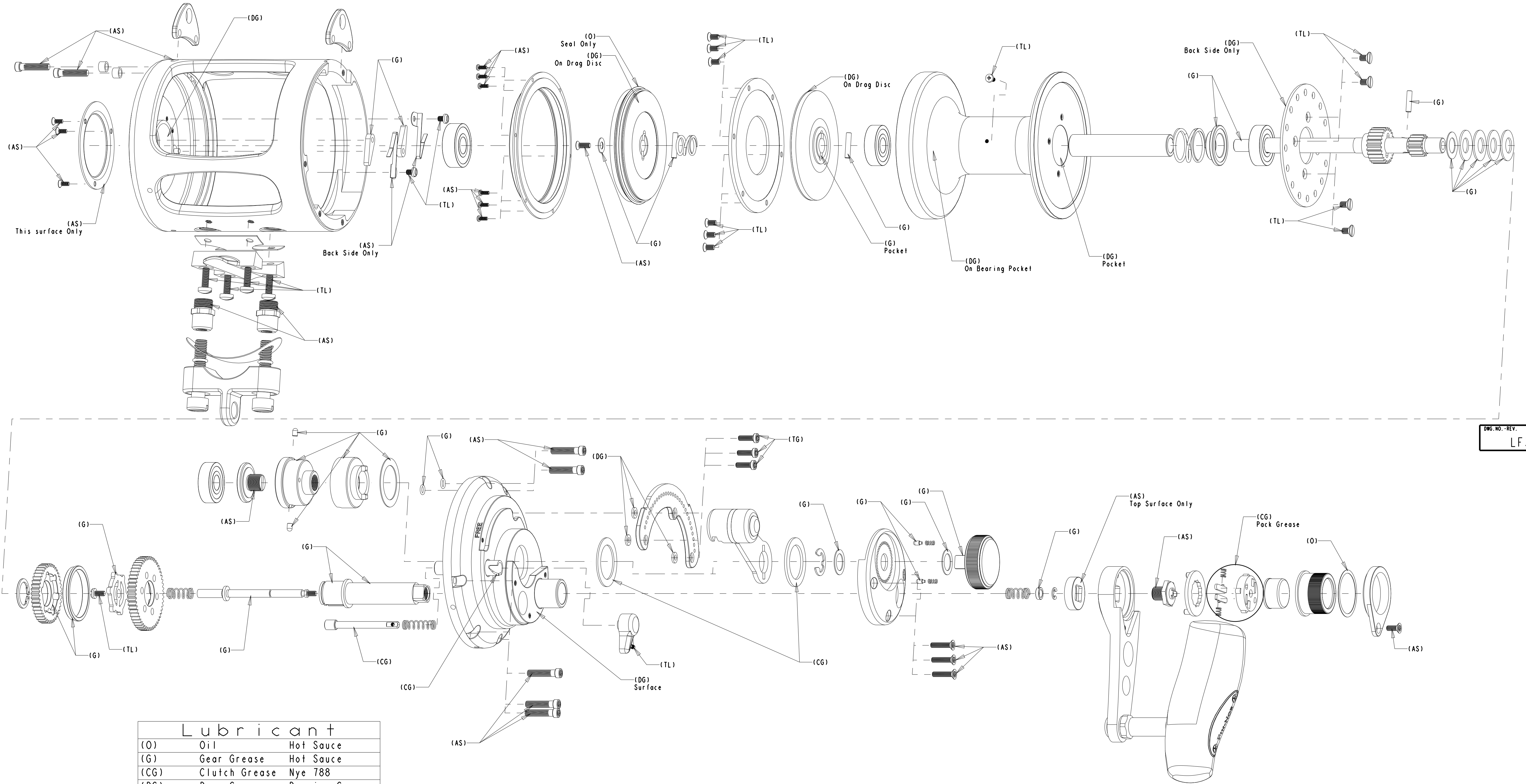


FIN-NOR SANTIAGO 30/30W/50/50W 2SPEED LUBRICATION SPEC



DWG. NO. -REV.
LF300EXP_RUB

Lubricant		
(O)	Oil	Hot Sauce
(G)	Gear Grease	Hot Sauce
(CG)	Clutch Grease	Nye 788
(DG)	Drag Grease	Damping Grease
(AS)	Anti Seize	
(TL)	Thread Locking Compound	

DIMENSIONS AND TOLERANCES PER ISO DO NOT SCALE DRAWING	TOLERANCES EXCEPT AS NOTED ANGLES OTHERS PER PROCESS STANDARD ALL DIM. ARE IN MILLIMETERS	W.C. BRADLEY /ZEBCO HOLDINGS, INC P.O. BOX 270 TULSA, OKLAHOMA	
		PART NAME	
PROPRIETARY NOTICE FOR DOCUMENTS This document and the information thereon is the confidential property of ZEBCO Corporation. Reproduction or use of this document or the information hereon for any purpose without the express written consent of ZEBCO Corporation is strictly prohibited.		NOTATION SYMBOLS Flatness Perpendicularity Straightness Angularity Circularity Total Runout Cylindricity True Position Surface Profile Concentricity Line Profile Eccentricity Parallelism Diameter	DWG. BY: DATE: CAD. BY: MODEL NAME: SCALE: 0.850 SHEET 1 OF 1 DRW. No.: LF300EXP_RUB