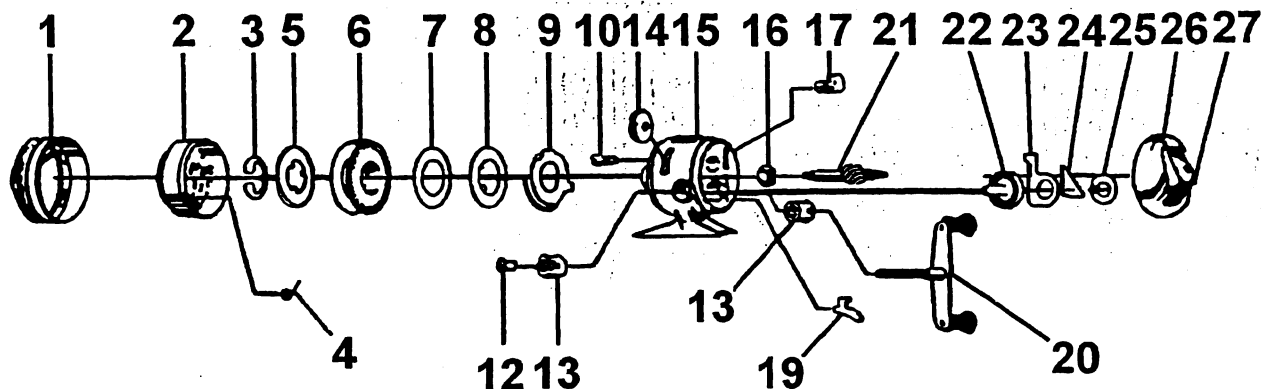


SPECIFICATIONS:

Ultra Light Freshwater
 Line Capacity: 60 yds / 4 lb.
 Gear Ratio: 4.1:1
 Weight: 5 oz.

FEATURES:

Magnum Drag System
 Magnum Gears
 Selective On/Off Anti-Reverse
 Right/Left Hand Retrieve
 Color: Gold and Grey



Key Part No. No.	Description	Key Part No. No.	Description
BE324-08	Front Cover Assembly	14	BJ032-01 Clutch Wheel
BE310-01	Spinnerhead Assembly	15	BE301-03 Body
XZ034-01	Spool Clip	16	KE317-01 Center Shaft Bushing
AJ049-01	Pick-up Pin Spring	17	BE002-01 Anti-Reverse Actuator
BE036-01	Spool Clip	19	BJ060-01 Anti-Reverse Pawl
BE321-01	Spool with Line	20	BE318-06 Handle Assembly
BJ108-01	Flat Washer	21	BE315-01 Center Shaft Assembly
BJ040-01	Spool Washer	22	BJ012-01 Crank Gear
BJ027-01	Clutch Ring	23	BJ014-01 Anti-Reverse Drag
0 BJ054-02	Clutch Screw	24	BE061-01 Anti-Reverse Pawl Spring
2 BJ069-01	Crank Rod Nut	25	BJ106-01 Flat Washer
3 BJ026-01	Crank Bushing	26	BE323-03 Back Cover
		27	BE009-01 Thumb Stop