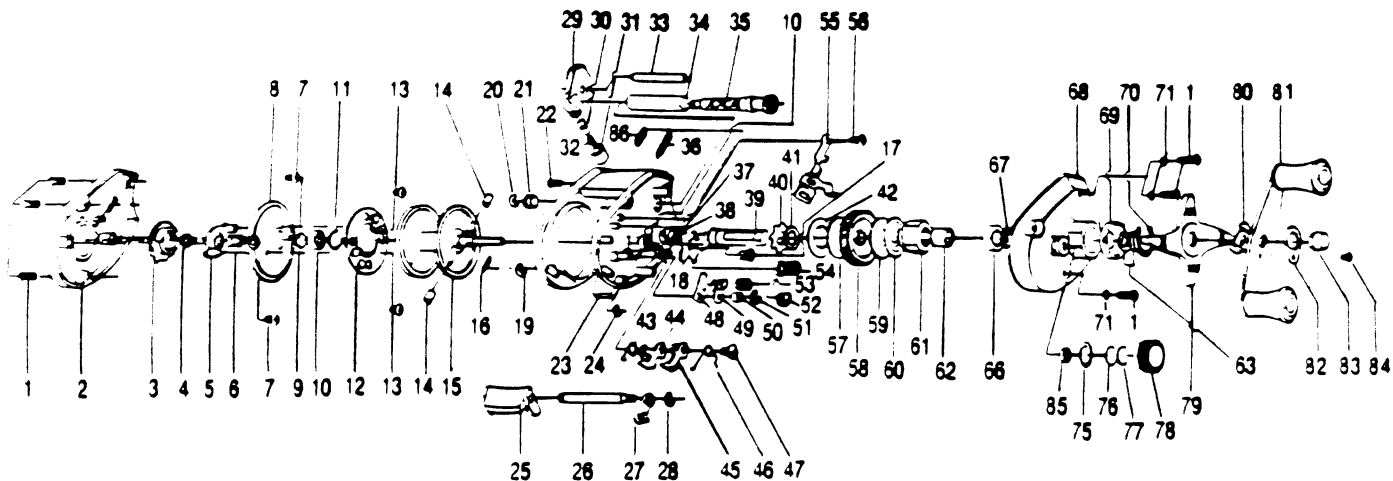


QUANTUM® PRO3



KEY PART NO. NO.	DESCRIPTION	PRICE	KEY PART NO. NO.	DESCRIPTION	PRICE
1 VX4102	SIDE COVER SCREW	.92	42 NX045	DRAG WASHER-LOWER	.50
2 KW323	SIDE COVER ASSY.	6.45	43 VX4541	LATCH-BOTTOM SPRING	.92
3 VX4303	MAGNET CONTROL DIAL	1.43	44 VX4501	LATCH-BOTTOM	1.27
4 VX4250	DIAL FRICTION RING	.80	45 VX4503	LATCH-TOP	1.27
5 VX4261	SLIDE CAM	.85	46 VX4543	LATCH-TOP SPRING	.92
6 VX4301	SLIDE CAM SPRING	.75	47 VX4505	LATCH SCREW	1.55
7 VX4106	SPOOL COVER SCREW	.75	48 VX4401	PINION YOKE	3.61
8 VX4108	SPOOL COVER	3.44	49 VX4411	SPRING ANCHOR	1.55
9 VX4255	SPOOL TENSION SHIM	.92	50 VX4412	CONICAL SPRING	1.27
10 VX4252	BALL BEARING (SPOOL SH)	11.41	51 VX4243	E-CLIP (YOKE)	.58
11 VX4253	CLIP RING	.85	52 VX4400	PINION COLLAR	1.09
12 VX4257	MAGNET PLATE ASSY	12.56	53 VX4403	YOKE SPRING	.85
13 VX4602	MAGNET PLATE SCREW	1.65	54 KW311	PINION GEAR ASSY.	5.25
14 VX4603	CENTRIFUGAL BRAKE SHOE	1.09	55 WX4402	RELEASE SLIDER	3.15
15 KW321	SPOOL ASSY.	13.96	56 WX4656	RELEASE SLIDER SCREW	.85
16 WX4411	L. SIDE THUMB BAR SPRG.	1.43	57 KW060	DRAG DISC - LOWER	2.10
17 GW107	CTR. SHAFT RET. SCREW	.65	58 KW012	DRIVE GEAR	8.00
18 KW002	CRANK SHAFT RETAINER	1.70	59 KW059	DRAG DISC - UPPER	2.90
19 WX4665	E-CLIP	.58	60 KW048	DRAG WASHER -UPPER	1.45
20 VX4152	E-CLIP (WORM SHAFT)	.85	61 KW063	ANTI-REVERSE CLUTCH	15.50
21 VX4156	WORM SHAFT BUSHING	1.09	62 KW052	CLUTCH SLEEVE	3.25
22 VX4155	CARRIER GUIDE SCREW	.85	63 VX4662	SPRING D WASHER	1.27
23 KW301	FRAME ASSY.	24.50	66 VX4254	BALL BEARING (CRANK SH)	11.18
24 VX4243	E-CLIP (YOKE)	.58	67 KW035	BEARING WASHER	1.15
25 WX4406	THUMB BAR	3.15	68 KW024	RIGHT SIDE COVER	14.00
26 WX4404	THUMB BAR PIN	3.44	69 KW110	RETAINER CLICK SPRING	2.90
27 WX4405	LINK (THUMB BAR)	1.14	70 KW114	CLICK SPRING	.65
28 WX4153	E-CLIP (THUMB BAR)	.58	71 CW069	MYLAR WASHER	.65
29 VX4201	LINE GUIDE CARRIER	6.02	75 VX4258	TENSION KNOB RING	.92
30 VX4202	LINE GUIDE PAWL	4.02	76 VX4302	SPOOL TENSION KNOB WAS	1.37
31 VX4204	LINE GUIDE CARRIER SCREW	2.59	77 VX4601	SPOOL TENSION KNOB CUS	.92
32 CX4203	LINE GUIDE PAWL SPRING	.34	78 VX4259	SPOOL TENSION KNOB	4.53
33 VX4159	CARRIER GUIDE	3.61	79 KW055	DRAG STAR	6.25
34 VX4158	WORM SHAFT GUIDE	5.68	80 VX4660	HANDLE WASHER	1.09
35 KW372	WORM SHAFT ASSY.	1.95	81 VX4701	HANDLE ASSY.	10.26
36 WX4410	THUMB BAR SPRING	1.43	82 GX4703	HANDLE NUT LOCK	.85
37 KW056	BEARING CRANKSHAFT-LOWER	10.25	83 GX4702	HANDLE NUT	.92
38 KW075	E-CLIP (C-SHAFT-LOWER)	1.65	84 VX4704	HANDLE NUT LOCK SCREW	.92
39 KW008	CRANK SHAFT	7.90	85 KW117	BEARING - SPOOL SHAFT	10.25
40 NX083	TRIP RATCHET	1.45	86 WX4502	RELEASE SLIDER SPRING	1.14
41 NX111	RATCHET WASHER	1.75			