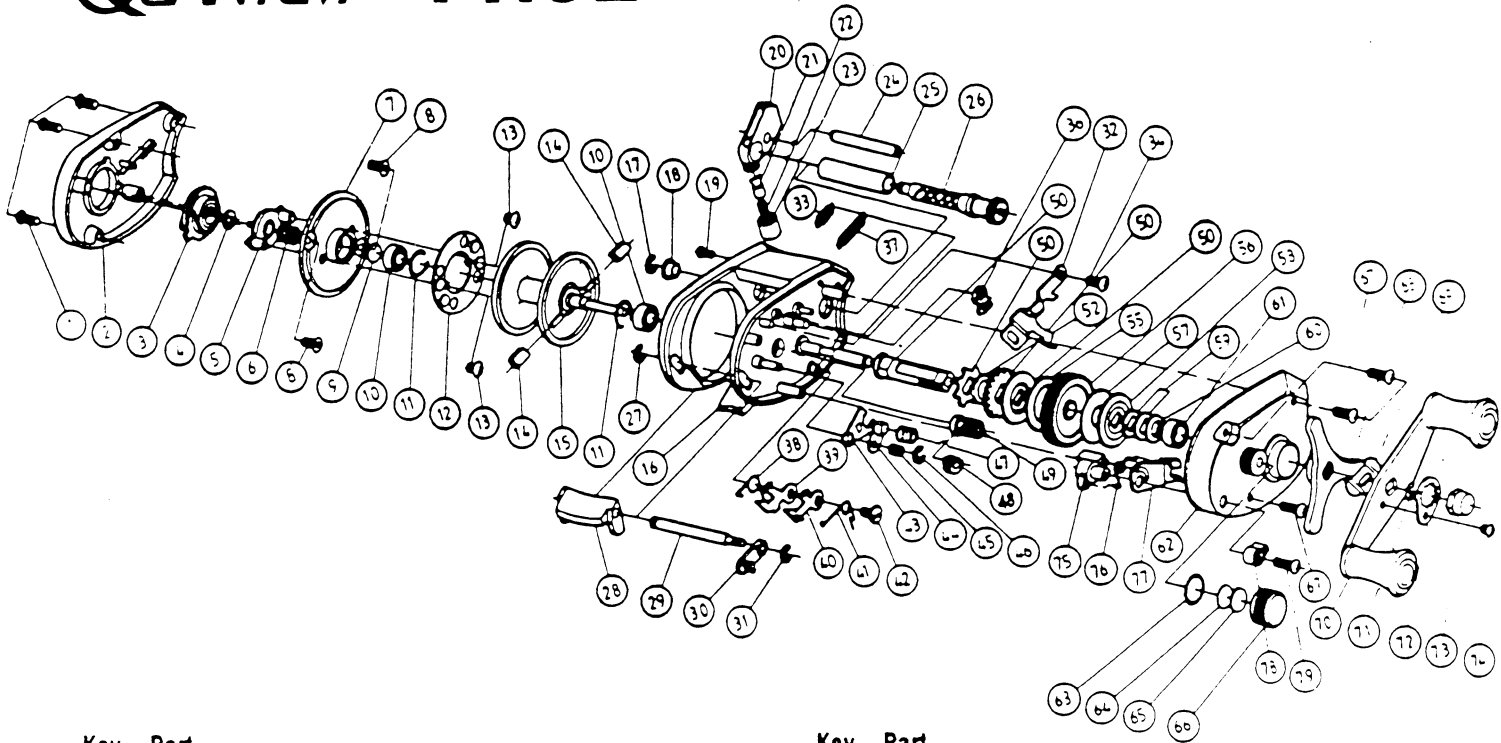


# QUANTUM PRO2

# DISCONTINUED



Key No.	Part No.	Description	Price	Key No.	Part No.	Description	Price
	KX4110	L-SIDE PLT. SCR. WSHR.	.36	39	VX4501	LATCH-BOTTOM	1.36
	WX4411	L. SIDE THUMB BAR SPRG.	1.53	40	VX4503	LATCH-TOP	1.36
1	VX4102	SIDE COVER SCREW	.99	41	VX4543	LATCH-TOP SPRING	.99
2	PX323	LEFT SIDE COVER	10.27	42	VX4505	LATCH SCREW	1.66
3	VX4303	MAGNET CONTROL DIAL	1.53	43	WX4401	PINION YOKE	3.86
4	VX4250	DIAL FRICTION RING	.85	44	VX4411	SPRING ANCHOR	1.66
5	VX4261	SLIDE CAM	.91	45	VX4412	CONICAL SPRING	1.36
6	VX4301	SLIDE CAM SPRING	.80	46	VX4243	E-CLIP	.62
7	VX4108	SPOOL COVER	3.69	47	VX4403	YOKE SPRING	.91
8	VX4106	SPOOL COVER SCREW	.80	48	VX4400	PINION COLLAR	1.16
9	VX4255	SPOOL TENSION SHIM	.99	49	VX4256	PINION GEAR	9.21
10	VX4252	BALL BEARING (SPOOL SH	12.23	50	VX4652	CRANK SHAFT ASSY.	12.23
11	VX4253	CLIP RING	.91	51	VX4243	E-CLIP	.62
12	VX4257	MAGNET PLATE ASSY	13.45	54	CW069	MYLAR WASHER	.70
13	VX4602	MAGNET PLATE SCREW	1.77	55	VX4659	DRAG B WASHER (L)	1.53
14	VX4603	CENTRIFUGAL BRAKE SHOE	1.16	56	VX4651	DRIVE GEAR	10.43
15	VX4251	SPOOL ASSY.	14.42	57	VX4666	DRAG B WASHER (U)	1.46
16	WX4051	FRAME ASSY.	26.96	58	VX4667	DRAG D WASHER (U)	1.84
17	VX4152	E-CLIP (WORM SHAFT)	.91	59	VX4662	SPRING D WASHER	1.36
18	VX4156	WORM SHAFT BUSHING	1.16	60	VX4200	BEARING COLLAR	1.84
19	VX4155	CARRIER GUIDE SCREW	.91	61	VX4254	BALL BEARING (CRANK SH	11.98
20	VX4201	LINE GUIDE CARRIER	6.45	62	WX4103	RIGHT SIDE COVER	13.45
21	VX4202	LINE GUIDE PAWL	4.31	63	VX4258	TENSION KNOB RING	.99
22	CX4203	LINE GUIDE PAWL SPRING	.36	64	VX4302	SPOOL TENSION KNOB WAS	1.46
23	VX4204	LINE GUIDE CARRIER SCREW	2.77	65	VX4601	SPOOL TENSION KNOB CUS	.99
24	VX4159	CARRIER GUIDE	3.86	66	VX4259	SPOOL TENSION KNOB	4.85
25	VX4158	WORM SHAFT GUIDE	6.09	67	VX4352	RIGHT SIDE COVER SCREW	.62
26	VX4151	WORM SHAFT ASSY.	8.54	68	VX4663	STAR DRAG ASSY.	8.54
27	WX4665	E-CLIP	.62	69	VX4660	HANDLE WASHER	1.16
28	WX4406	THUMB BAR	3.38	70	VX4701	HANDLE ASSY.	10.99
29	WX4404	THUMB BAR PIN	3.69	71	VX4657	E-CLIP (CRANK SHAFT)	.62
30	WX4405	LINK (THUMB BAR)	1.23	72	GX4703	HANDLE NUT LOCK	.91
31	WX4153	E-CLIP (THUMB BAR)	.62	73	GX4702	HANDLE NUT	.99
32	WX4402	RELEASE SLIDER	3.38	74	VX4704	HANDLE NUT LOCK SCREW	.99
33	WX4502	RELEASE SLIDER SPRING	1.23	75	WX4507	FLIPP'N ARM	1.46
34	WX4656	RELEASE SLIDER SCREW	.91	76	WX4508	SPRING-FLIPP'N LEVER	.91
36	VX4452	A/R PAWL	3.69	77	WX4509	FLIPP'N SPRING SUPPORT	1.66
37	WX4410	THUMB BAR SPRING	1.53	78	WX4506	FLIPP'N LEVER	1.36
38	VX4541	LATCH-BOTTOM SPRING	.99	79	WX4510	FLIPP'N LEVER SCREW	1.23