

SPECIFICATIONS :

M FW / Lt SW

200 yds / 6 lb Line Capacity

Ball Bearings:

BR120 - 1 B.B.

BR320 / BR320A - 3 B.B.

5.7:1 Gear Ratio

10.4 oz.

FEATURES :

Front Drag

Balanced Rotor

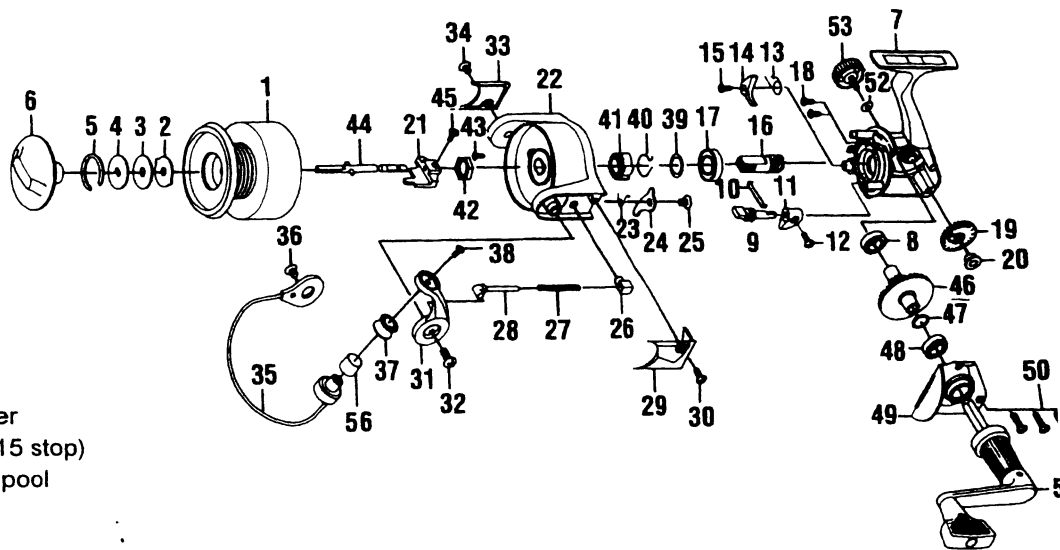
Oversized Twist Reducer Line Roller

POSI-Loc Selective Anti-Reverse (15 stop)

Aluminum Long Stroke Max-Cast Spool

Color: BR120 / 320 - Light Tan

BR320A - Dark Grey



Key No.	Part No.	DESCRIPTION	Price	Key No.	Part No.	DESCRIPTION	Price	
1	BH321-11	Spool Assembly	8.22	29	N / A	Arm Lever Cover (BR320A)	1.43	
1	N / A	Spool Assembly (BR320A)	8.22	30	BH085-11	Cover Screw	0.64	
2	BH081-11	Spool Washer "A"	0.59	30	N / A	Cover Screw (BR320A)	0.64	
3	BH033-11	Spool Washer "B"	0.64	31	BH007-12	Arm Lever	3.15	
4	BH080-11	Spool Washer "D"	0.96	31	N / A	Arm Lever (BR320A)	2.76	
5	BH038-11	Drag Retainer	1.01	32	BH044-11	Arm Lever Screw	0.64	
6	BH332-11	Drag Knob Assembly	3.29	32	N / A	Arm Lever Screw (BR320A)	0.64	
6	N / A	Drag Knob Assembly (BR320A)	3.29	33	BH024-11	Bail Holder Cover	1.60	
7	BH001-11	Body (before A8 date code)	5.57	33	N / A	BH024-13	Bail Holder Cover (BR320A)	0.64
7	BH001-18	Body (after A8 date code)	5.57	34	BH085-11	Cover Screw	0.64	
7	N / A	Body (BR320A)	5.57	34	N / A	BH085-13	Cover Screw (BR320A)	0.64
8	BH027-11	N / A	0.77	35	BH347-12	Bail Assembly	5.70	
8	N / A	BH027-12	6.58	35	N / A	BH347-17	Bail Assembly (BR320A)	5.70
9	BH090-11	Stopper Cam	1.60	36	BH044-11	Bail Holder Screw	0.64	
10	BH089-11	Stopper Cam Spring	0.96	36	N / A	BH044-13	Bail Holder Screw (BR320A)	0.42
11	BH059-11	Stopper Lever	1.08	37	BH004-12	Line Roller	3.15	
11	N / A	BH059-14	1.08	38	BH108-11	Bail Screw	0.64	
12	BH135-11	Stopper Lever Screw	0.64	38	N / A	BH108-13	Bail Screw (BR320A)	0.42
12	N / A	BH135-12	0.64	39	BH110-11	Bearing Washer	0.59	
13	BH061-11	Stopper Spring	0.46	40	BH086-11	Silent Spring	1.60	
14	BH063-12	Stopper	1.49	41	BH060-12	Ratchet Gear	1.71	
15	BH077-11	Stopper Screw	0.64	42	BH006-11	Rotor Nut	1.15	
16	BH011-13	Pinion Gear (before A8 date code)	2.76	43	BH094-11	Rotor Nut Lock Screw	0.64	
16	BH011-14	Pinion Gear (after A8 & BR320A)	2.76	44	BH315-11	Main Shaft Assembly	5.70	
17	BH028-11	Ball Bearing (before A8 date code)	8.70	45	BH100-11	Main Shaft Screw	0.64	
17	BH028-12	Ball Bearing (after A8 & BR320A)	8.70	46	BH012-13	Driver Gear	2.46	
18	BH041-11	Bearing Screw	0.64	47	BH026-11	Adjust Washer	0.64	
19	BH053-11	O/S Gear	1.53	48	BH027-11	N / A	Bushing	0.77
20	BH158-11	O/S Gear Bushing	0.98	48	N / A	BH027-12	Ball Bearing	6.58
21	BH025-11	O/S Slider	2.66	49	BH023-11	Body Cover	3.45	
22	BH009-11	Rotor	5.30	49	N / A	BH023-17	Body Cover (BR320A)	3.45
22	N / A	BH009-17	5.30	50	BH057-11	Body Cover Screw	0.64	
23	BH049-11	Kick Lever Spring	0.96	50	N / A	BH057-13	Body Cover Screw (BR320A)	0.42
24	BH019-11	Kick Lever	1.91	51	BH318-11	Handle Assembly	6.37	
25	BH136-11	Kick Lever Screw	0.64	51	N / A	BH318-12	Handle Assembly (BR320A)	6.37
26	BH020-11	Spring Holder	0.96	52	BH105-11	Handle Cap Washer	0.47	
27	BH022-11	Arm Lever Spring	0.64	53	BH073-11	Handle Screw Cap	2.34	
28	BH031-11	Spring Shaft	0.96	53	N / A	BH073-13	Handle Screw Cap (BR320A)	2.34
29	BH046-11	Arm Lever Cover	1.43	56	BH016-11	Line Roller Bushing	1.06	