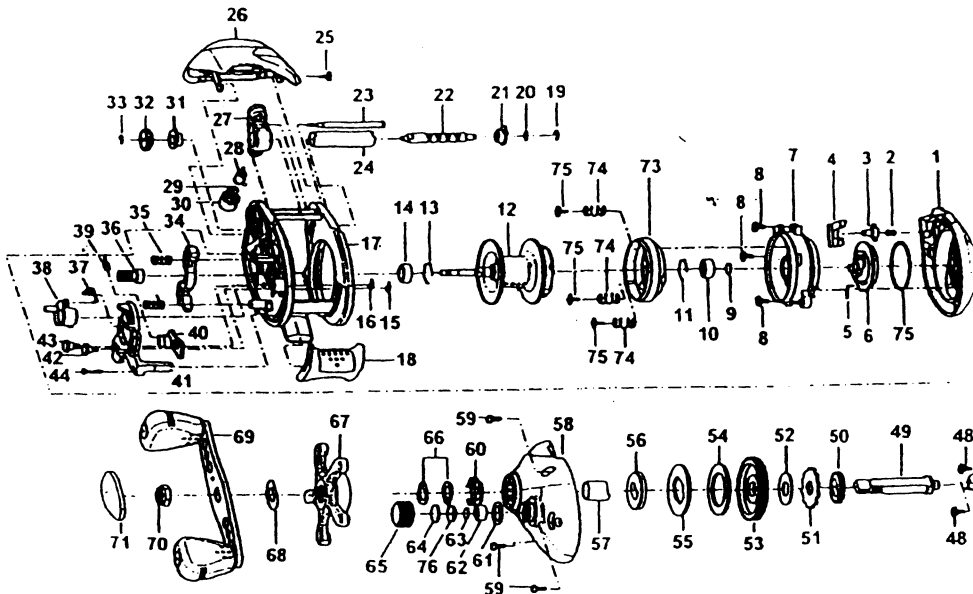


### SPECIFICATIONS:

Medium FW / Light SW  
 Line Capacity: 125 yds. / 12 lb.  
 Gear Ratio: 6.2:1  
 Weight: 8.4 oz.  
 Bearings: 4BB, 1RB

### FEATURES:

ACS External Centrifugal Cast Control  
 Continuous Anti-Reverse  
 One-Piece Frame and Spool  
 Flippin' Switch  
 Quick Release Side Cover  
 Color: Gold



Key #	Description	Part No.		Key #	Description	Part No.	
		AC501CX	AC401C			AC501CX	AC401C
1	Palm Side Cover Assembly	BX323-01	BX323-02	40	Kick Lever	BX077-01	000
2	Palm Side Cover Locking Spring	QV096-01	000	41	Release Slider	BX039-01	000
3	Palm Side Cover Locking Pin	HV095-01	000	42	Release Slider Guide Pin	HV102-01	000
4	Palm Side Cover Release Button	HV119-01	000	43	Kick Lever Guide Pin	HV118-01	000
5	Centrifugal Dial Spring	HV108-01	000	44	Thumb Bar Screw	ZW053-01	000
6	Centrifugal Dial	BX026-01	000	45	Crank Shaft Bearing (L)	SW017-01	000
7	Spool Cover	BX051-01	000	46	E-Clip	QW120-01	000
8	Spool Cover Screw	QV125-02	000	47	Crank Shaft Retainer	HV002-01	HV002-01
9	Spool Shaft Washer	QW032-04	000	48	Crank Shaft Retainer Screw	QV125-02	000
10	Spool Shaft Bearing (Palm)	QV017-01	000	49	Crank Shaft	HV008-02	000
11	Clip Ring	HV080-01	000	50	O/S Drive Gear	ZW112-01	000
12	Spool Assembly	HV321-03	HV321-04	51	Trip Ratchet	QW083-01	000
13	Clip Ring	HV080-01	000	52	Trip Ratchet Washer	QW111-01	000
14	Spool Shaft Bearing (Gear)	JX106-01	000	53	Drive Gear	HV112-02	XV012-01
15	E-Clip	NX092-01	000	54	Drag Disc	HV059-01	000
16	E-Clip	NX092-01	000	55	Drag Key Washer	HV045-01	000
17	Frame	BX001-01	000	56	Link	HV036-01	000
18	Thumb Bar	BX009-01	000	57	One Way Bearing Sleeve	HV052-01	000
19	E-Clip	NX092-01	000	58	Gear Side Cover Assembly	BX324-01	BX324-01
20	Worm Shaft Washer	QW035-03	000	59	Gear Side Cover Screw	BV123-02	BV123-01
21	Worm Shaft Bushing (Palm)	HV067-01	000	60	Drag Click Spring Assembly	ZW4114	000
22	Worm Shaft	HV072-01	000	61	Tension Knob O-Ring	QW101-01	000
23	Stabilizer Bar	ZW061-01	000	62	Tension Knob Bearing	SW117-01	N/A
24	Worm Shaft Guide	HV016-01	000	62	Tension Knob Bushing	N/A	QW117-01
25	Hood Screw	QV125-02	000	63	Spool Tension Washer	QW032-04	000
26	Hood Assembly	BX327-01	BX327-02	64	Spool Cushion Washer	QW082-01	000
27	Line Guide Carrier Assembly	HV347-02	HV347-01	65	Spool Tension Knob	HV033-02	HV033-01
28	Line Guide Pawl	ZW006-01	000	66	Spring "D" Washer	QW046-02	000
29	Line Guide Carrier Washer	BV035-01	000	67	Star Drag Assembly	HV355-04	HV355-01
30	Line Guide Carrier Screw	ZW007-02	000	68	Handle Washer	QW054-01	000
31	Worm Shaft Bushing (Gear)	HV068-01	000	69	Handle Assembly	HV318-02	HV318-01
32	O/S Pinion Gear	HV085-01	000	70	Handle Nut	RV003-02	000
33	E-Clip	NX090-01	000	71	Handle Nut Cap	RV034-02	RV034-01
34	Pinion Yoke	BX025-01	000	72	Centrifugal Dial Washer	QV111-01	000
35	Pinion Yoke Spring	QW040-01	000	73	Brake Ring Assembly	BX342-01	000
36	Pinion Gear Assembly	VW311-02	ZW311-02	74	Brake Ring Slider Spring	QV070-01	000
37	Release Slider Spring	BX104-01	000	75	Brake Ring Retainer Screw	QV076-01	000
38	Flipping Switch	BX087-02	BX087-01	76	Spool Tension Collar	QW081-01	000
39	Kick Lever Spring	QV097-01	000				12/95